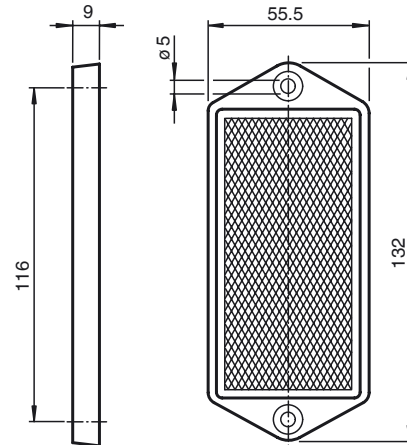




Dimensions



Model Number

REF-H116HT

Reflector, rectangular 55.5 mm x 132 mm, mounting holes, high temperature applications

Features

- Mounting holes for simple installation
- With extended temperature range up to 110 °C (230 °F)

Technical data

General specifications

Construction type	rectangular
-------------------	-------------

Ambient conditions

Ambient temperature	-20 ... 110 °C (-4 ... 230 °F)
---------------------	--------------------------------

Mechanical specifications

Material	PC
Dimensions	55.5 mm x 132 mm x 9 mm
Mounting	mounting holes